



INDIAN SCHOOL AL WADI AL KABIR
SAMPLE PAPER 1

CLASS: XII

MM:70 marks
Time:3 hrs.

ENGINEERING GRAPHICS (046)

MARKING SCHEME

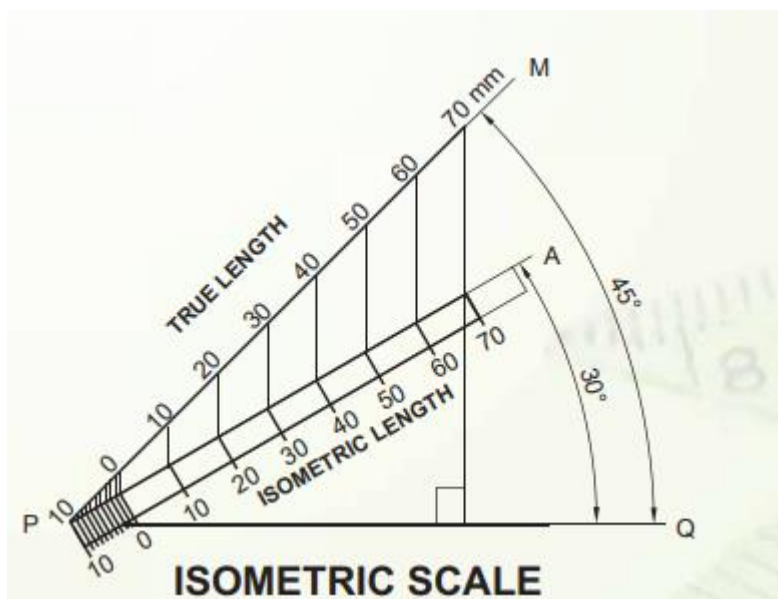
Q.1i

5 X 1 = 5 marks

Q.NO	ANSWERS
i)	b) Isometric lines
ii)	c) Square thread
iii)	d) Bearing
iv)	a) Cotter
v)	c) Tie-Rod joint

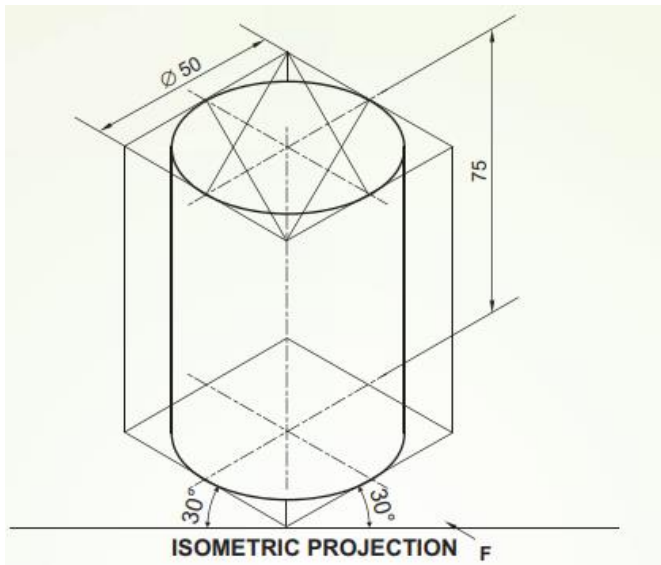
Q.2.a)

4 marks



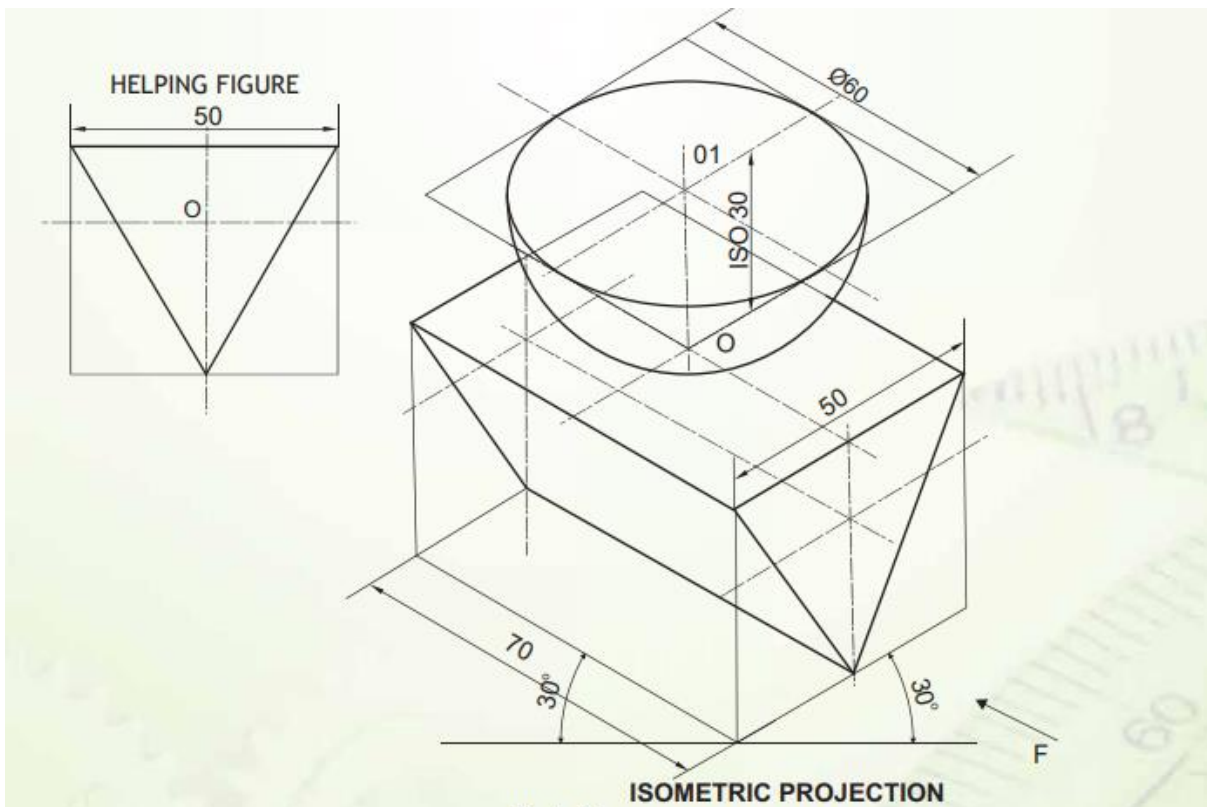
Q.2.b

8 marks



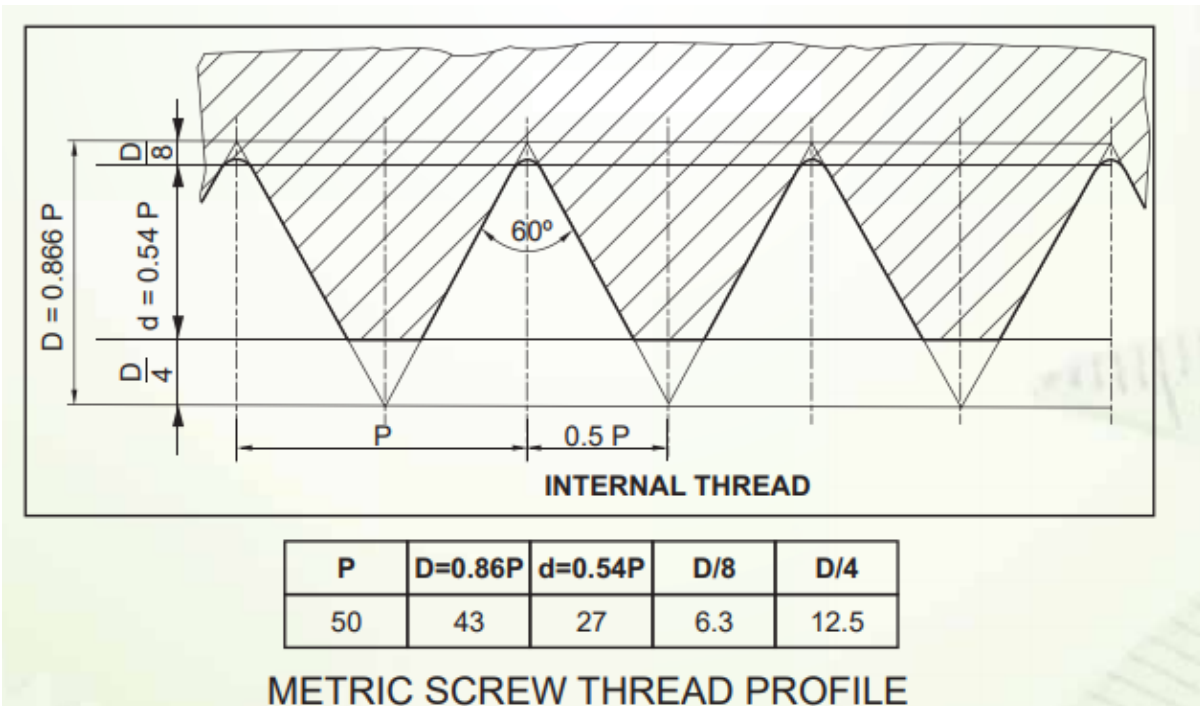
Q.2.c

12 marks

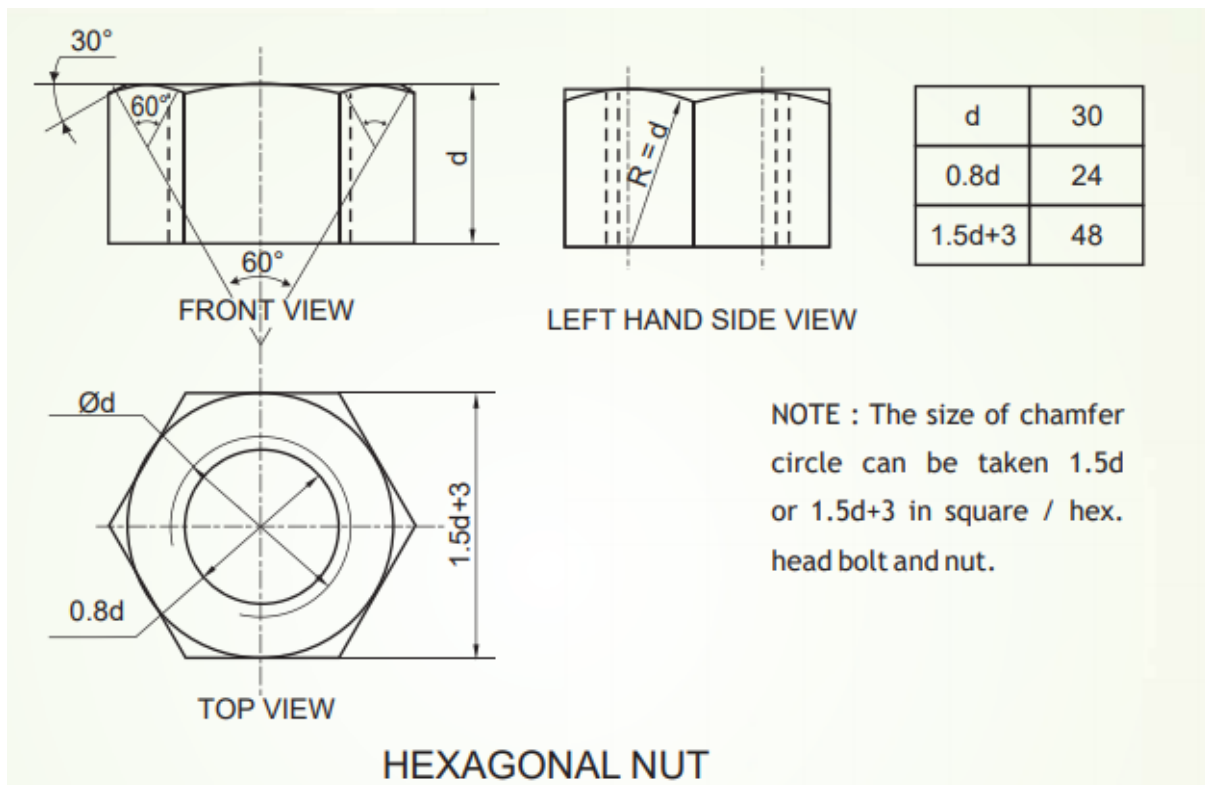


Q.3.a

8 marks

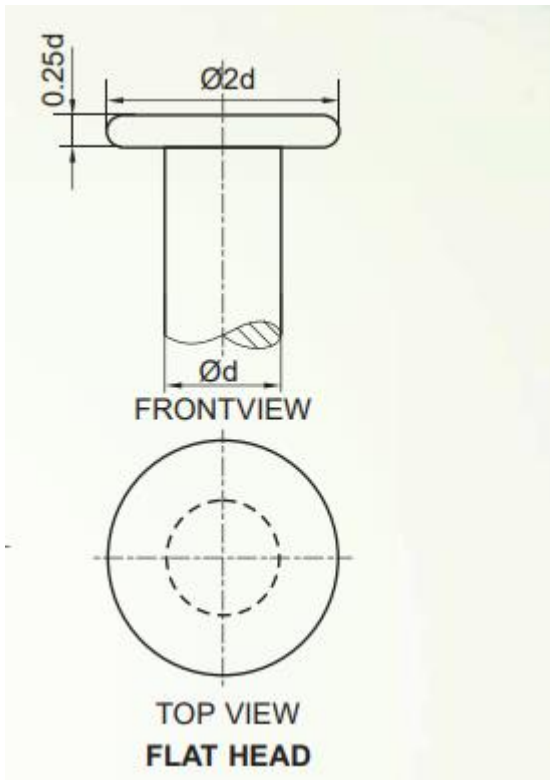


OR

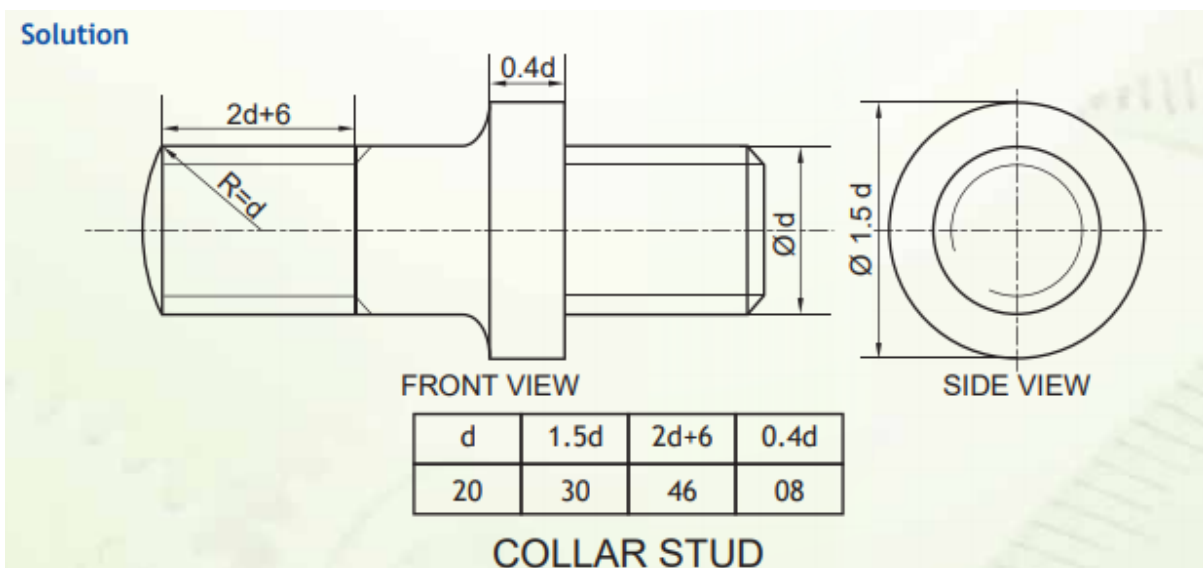


Q.3.b

5 marks

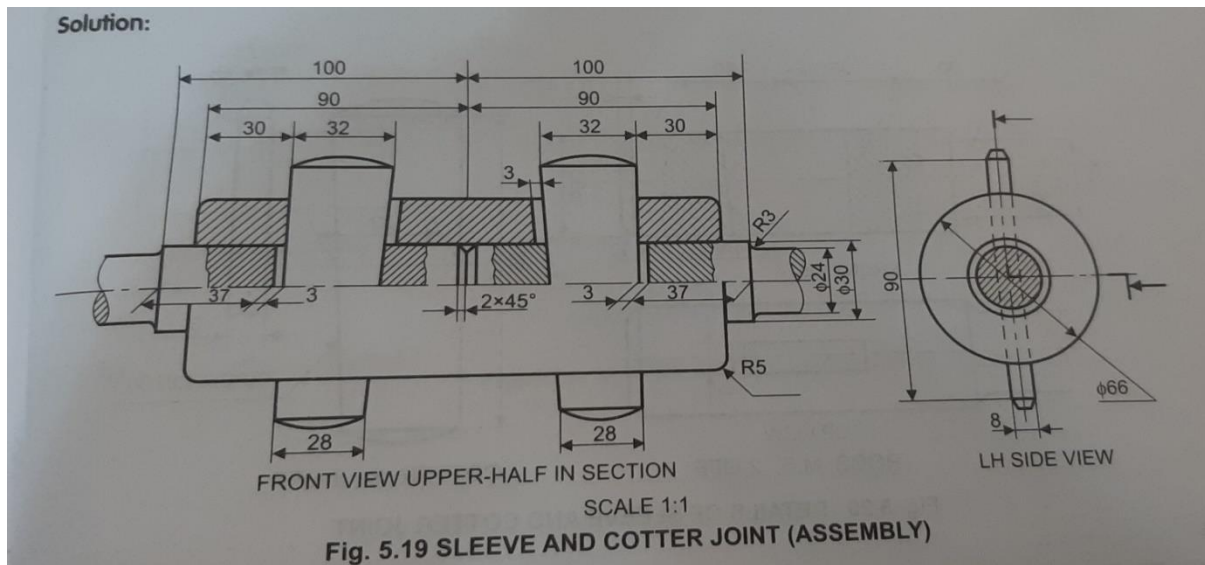


OR

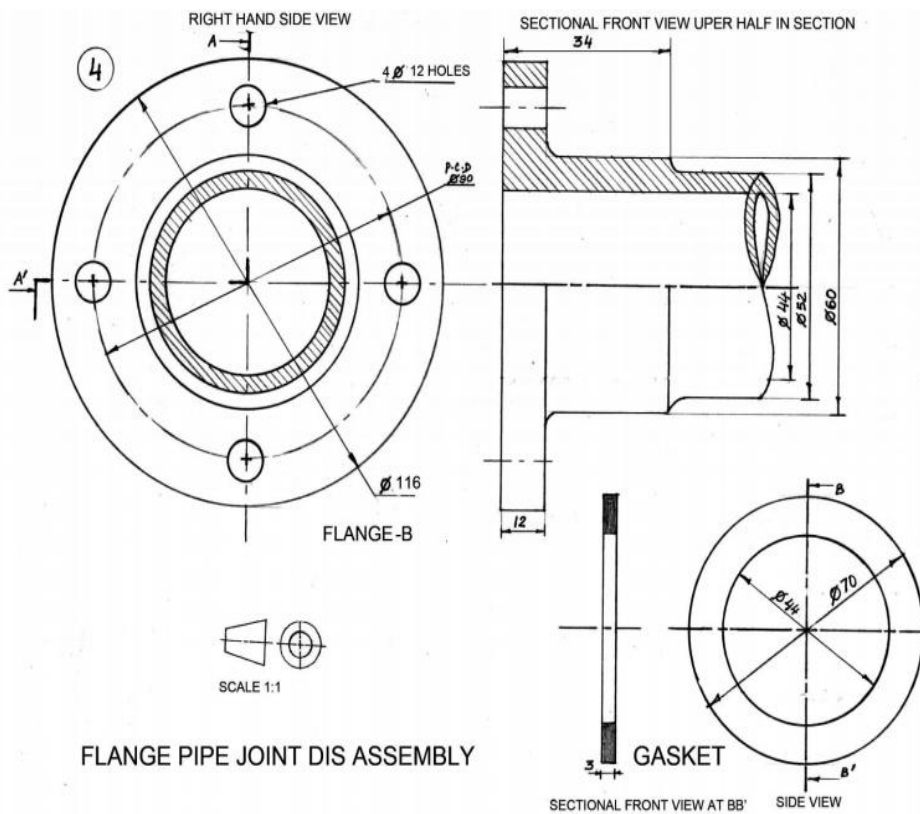


Q.4

28 marks



OR



Prepared by: The Department of Science 2020 -21

Checked by: HOD – SCIENCE