



INDIAN SCHOOL AL WADI AL KABIR
SAMPLE PAPER 2

CLASS: XII

MM:70 marks
Time:3 hrs.

ENGINEERING GRAPHICS (046)

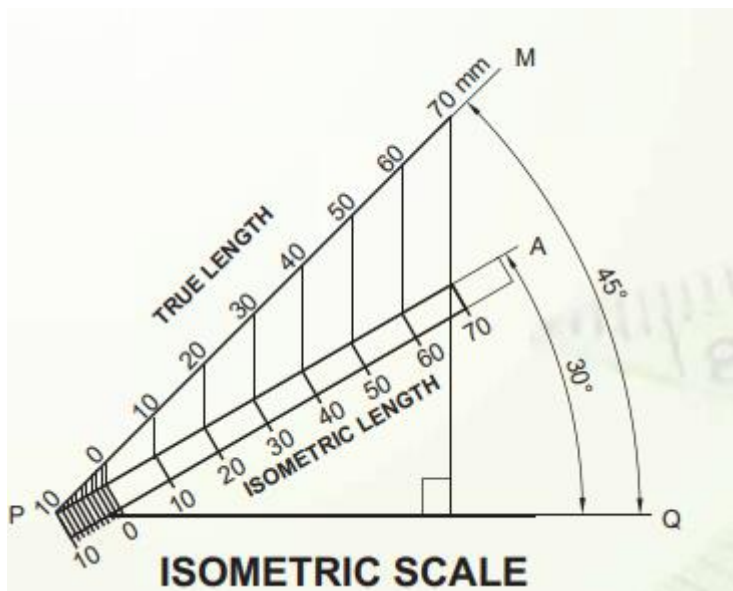
MARKING SCHEME

Q.Ii

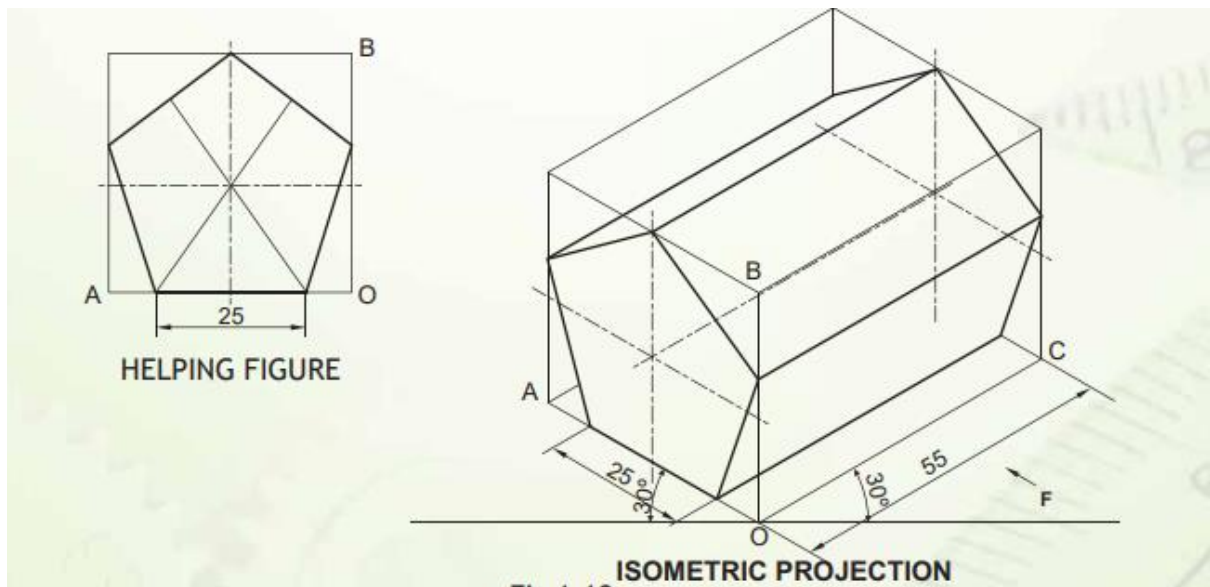
5 X 1 = 5 marks

Q.NO	ANSWERS
i)	d) Isometric scale
ii)	a) Four centre method
iii)	b) Screw thread
iv)	a) Isometric lines
v)	a) Prevent its rotation with the shaft

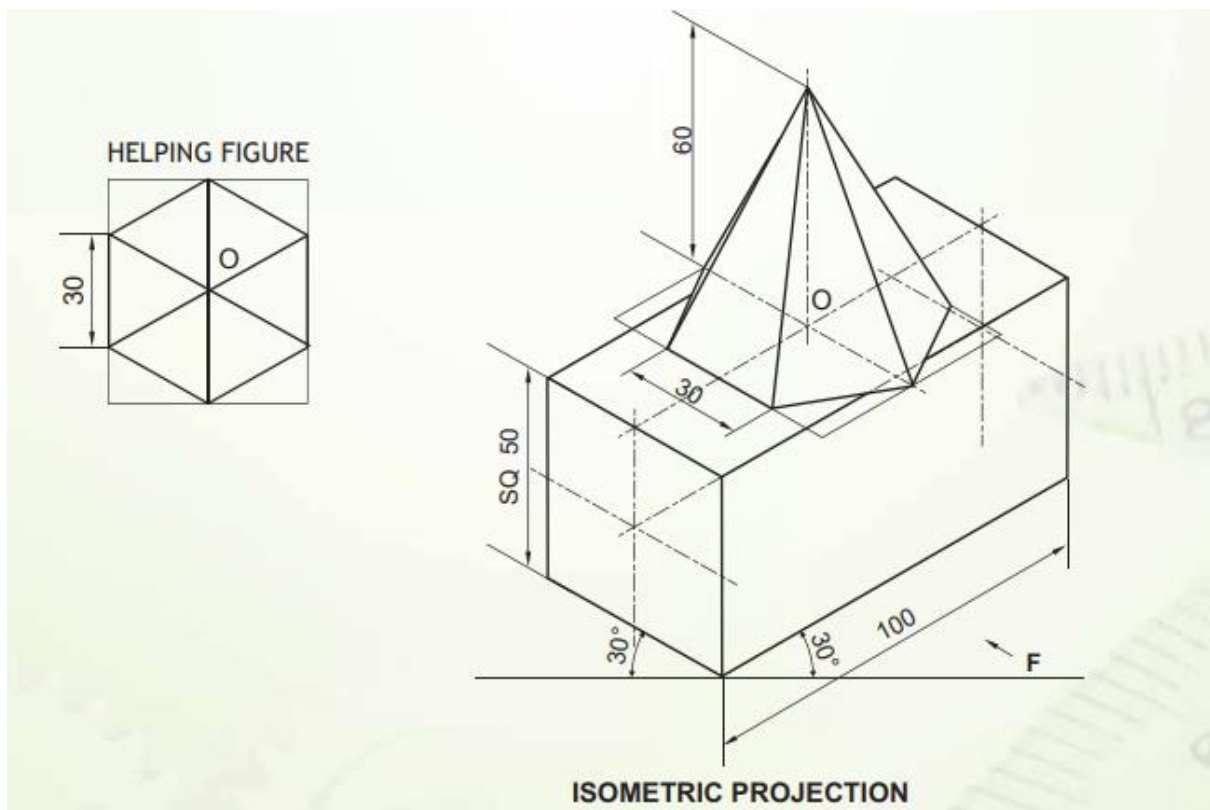
2.a



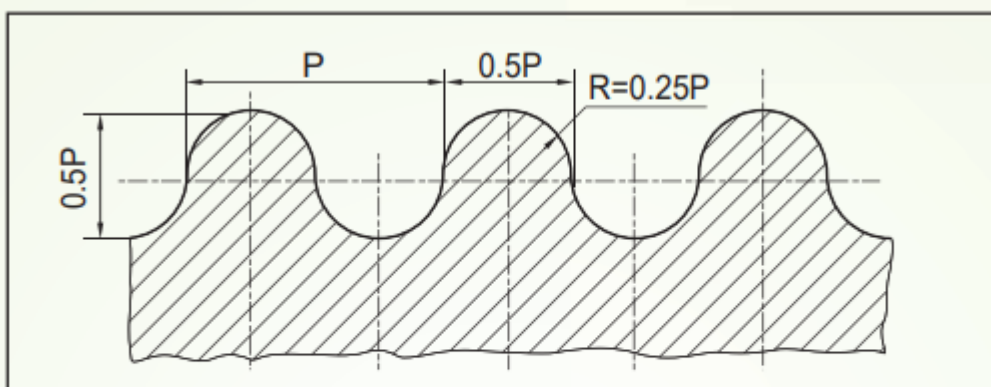
b.



c.



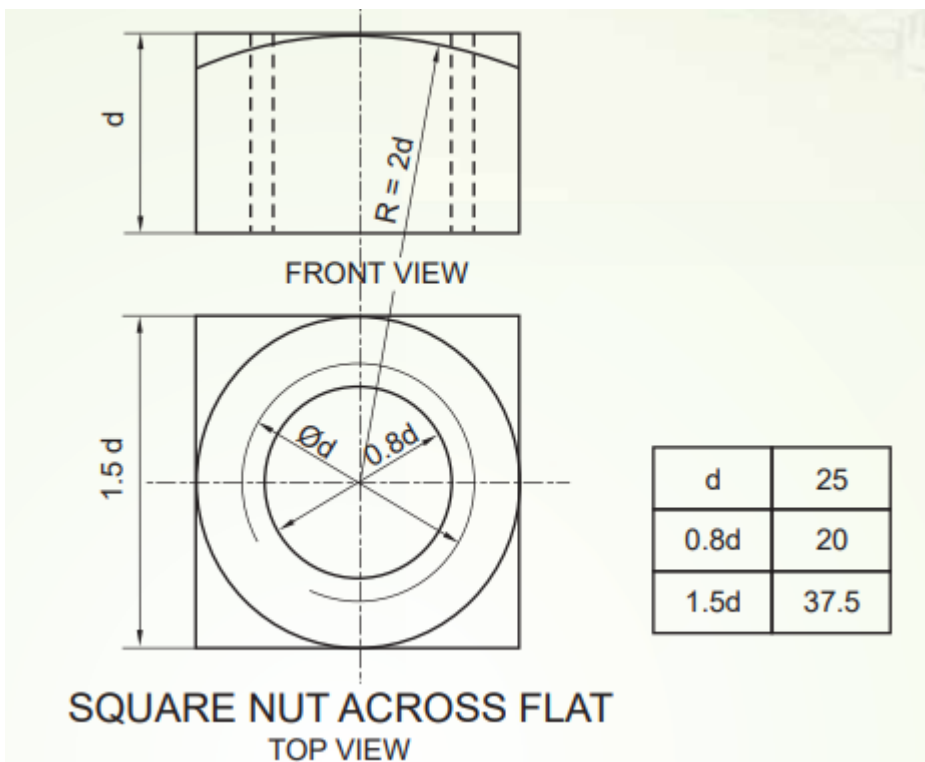
3.a



P	0.5P	0.25P
40	20	10

PROFILE OF A KNUCKLE SCREW THREAD

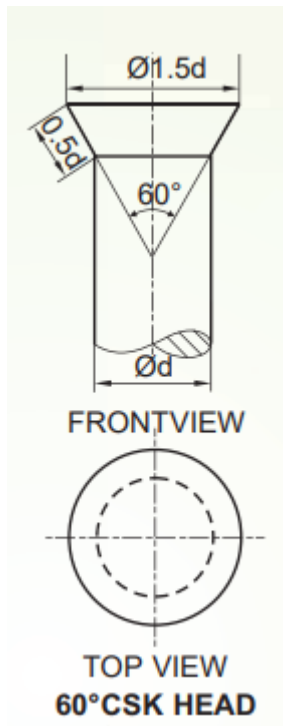
OR



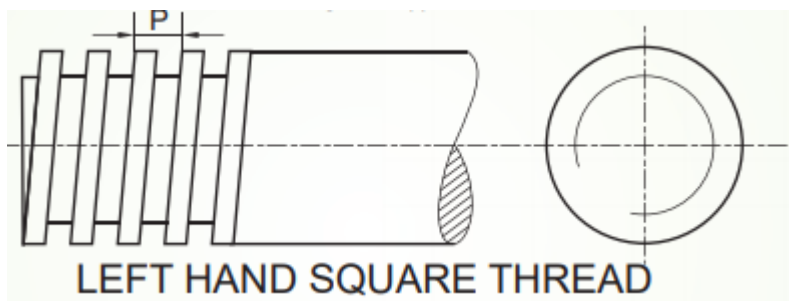
d	25
0.8d	20
1.5d	37.5

SQUARE NUT ACROSS FLAT
TOP VIEW

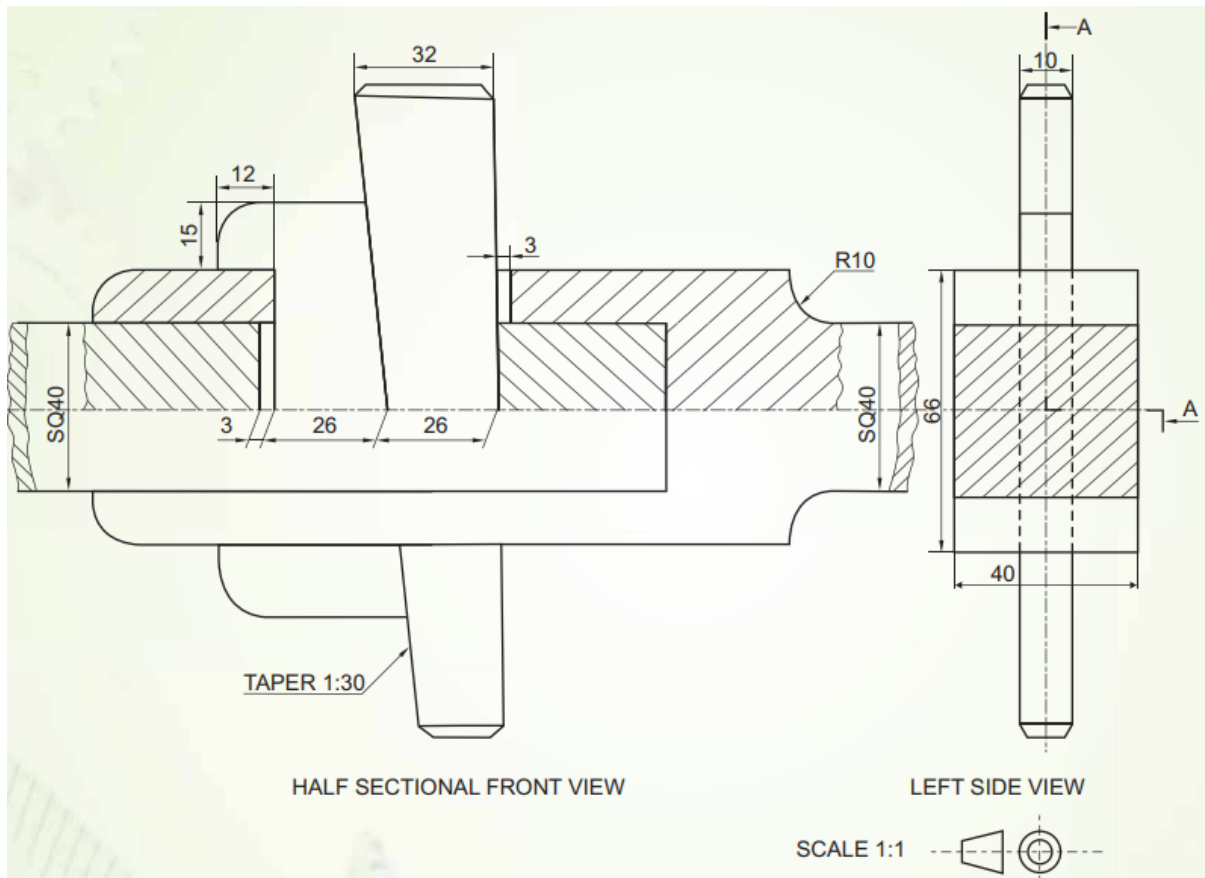
3.b



OR

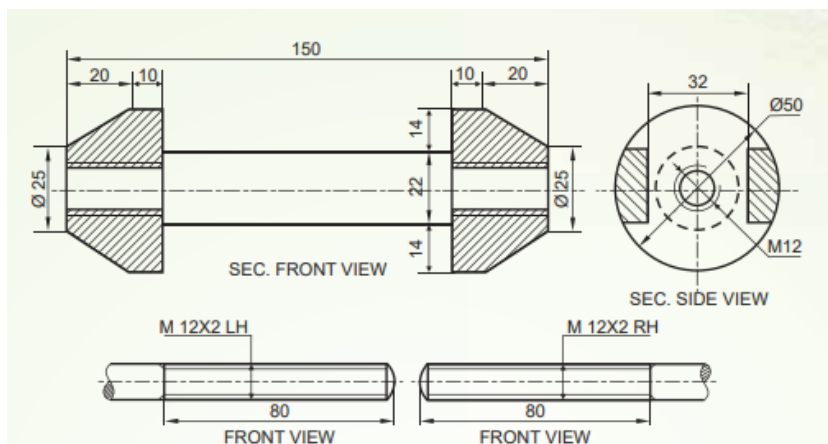


4.a



OR

4.b



Prepared by: The Department of Science 2020 -21
Checked by: HOD – SCIENCE