



INDIAN SCHOOL AL WADI AL KABIR
SAMPLE PAPER III

CLASS: XII

MM:70 marks
Time:3 hrs.

ENGINEERING GRAPHICS (046)

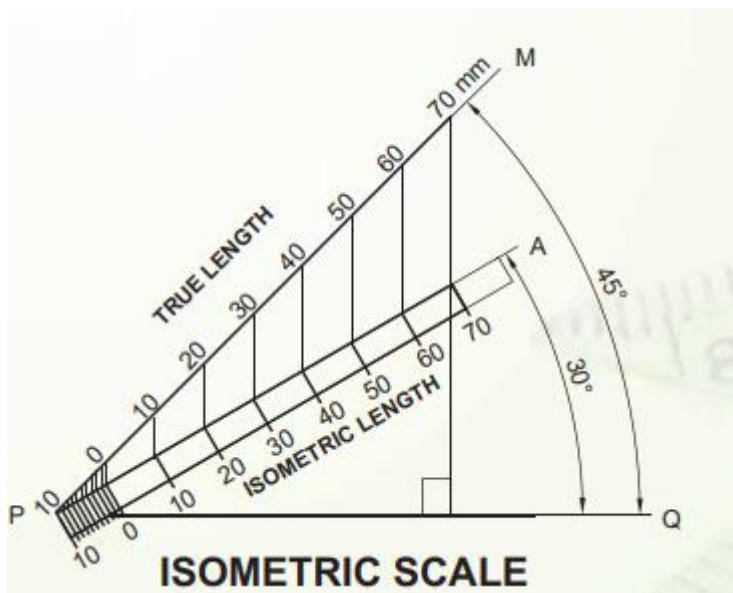
MARKING SCHEME

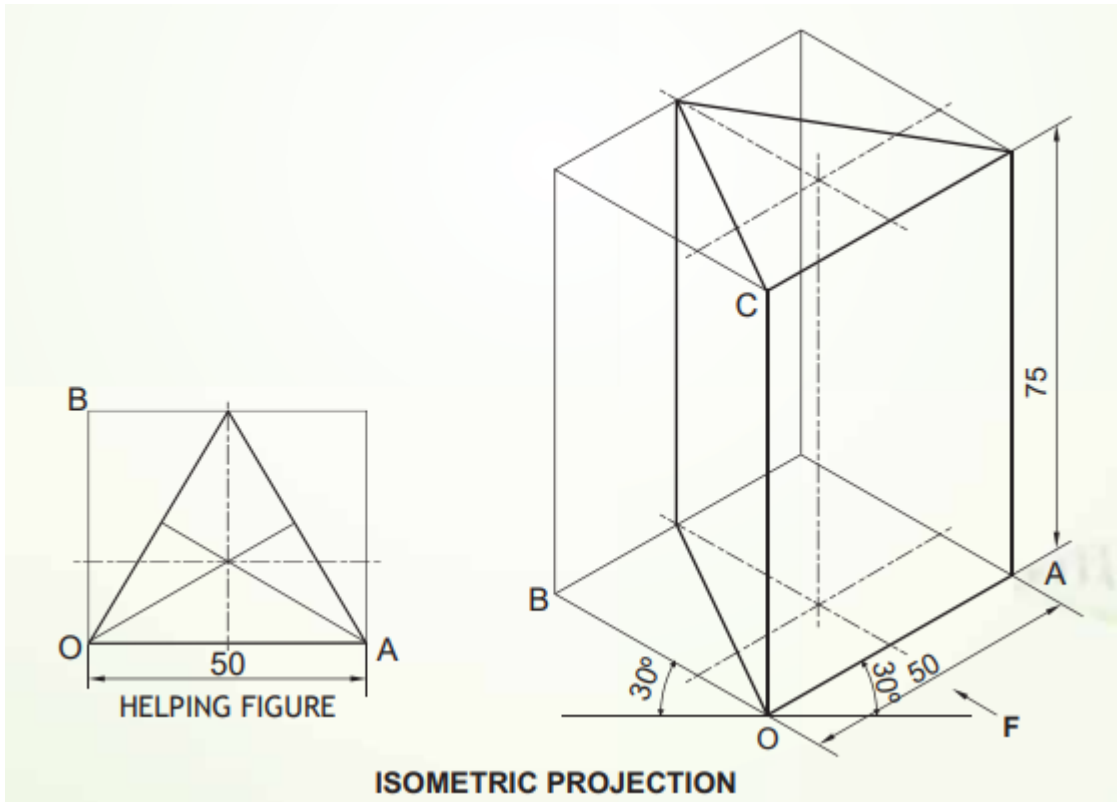
Q.Ii

5 X 1 = 5 marks

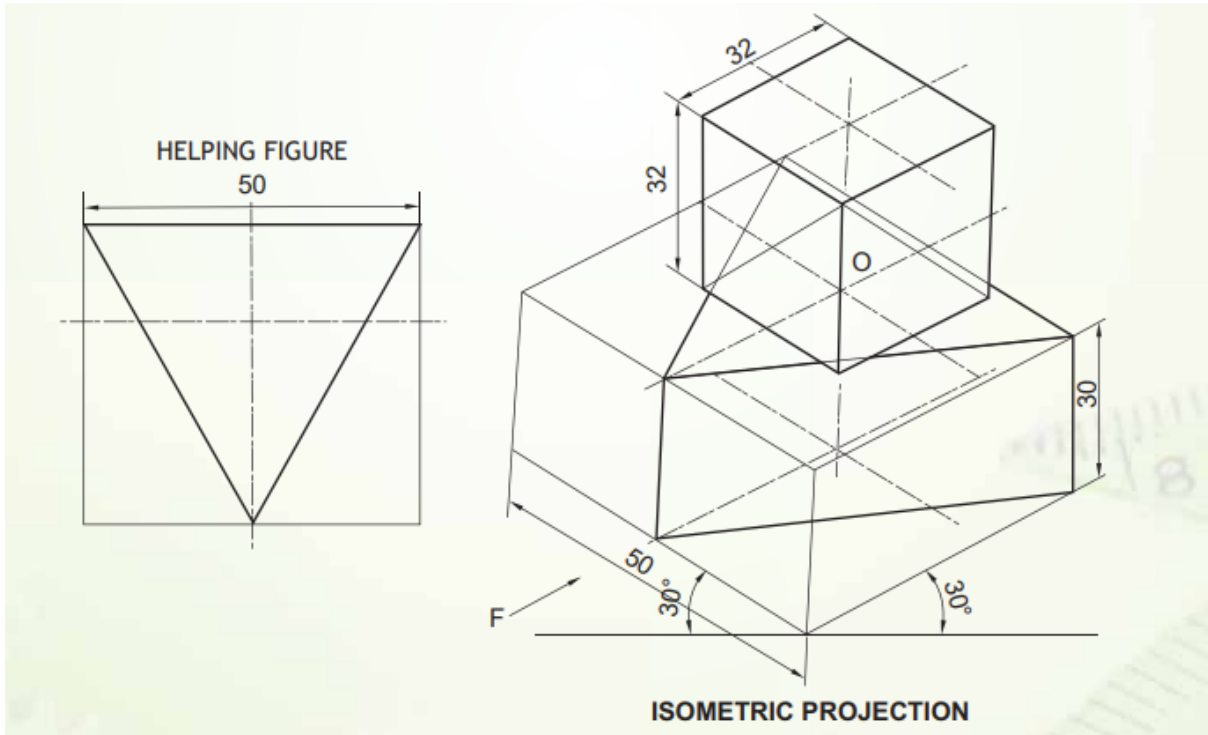
Q.NO	ANSWERS
i)	b) Diametric
ii)	c) 45 degree
iii)	d) 55 degree
iv)	c) 0.54P
v)	b) stud

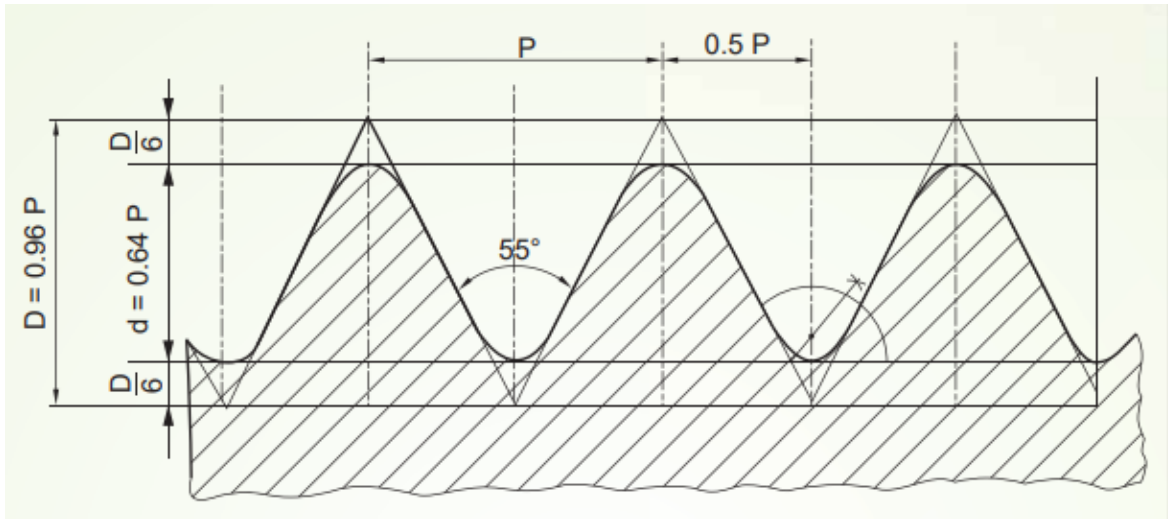
2.a





c.

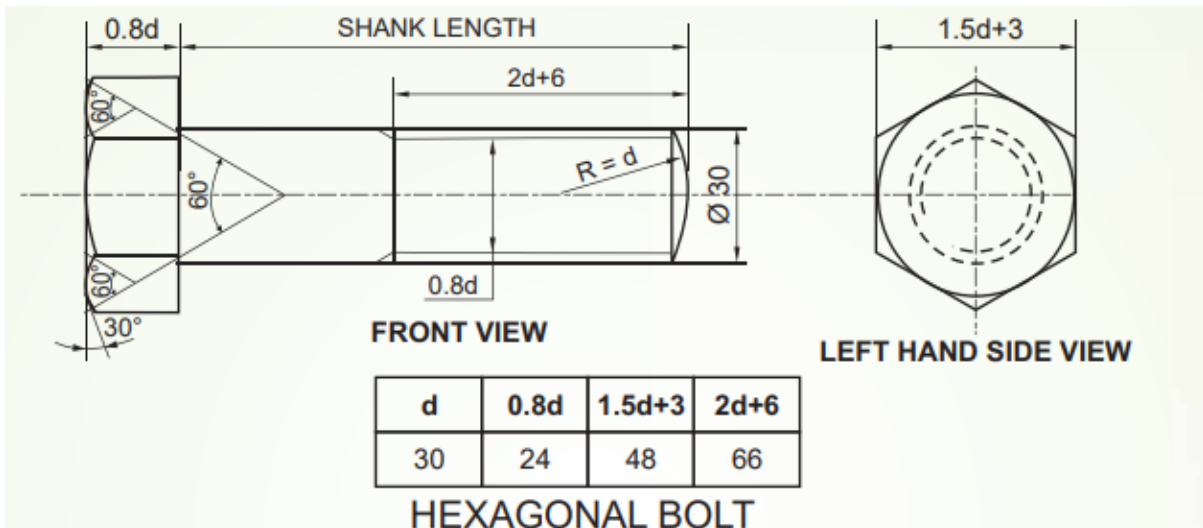




P	D	d	D/6
40	38.4	25.6	6.5

BRITISH STANDARD WHITWORTH THREAD (B.S.W. THREAD)

.b



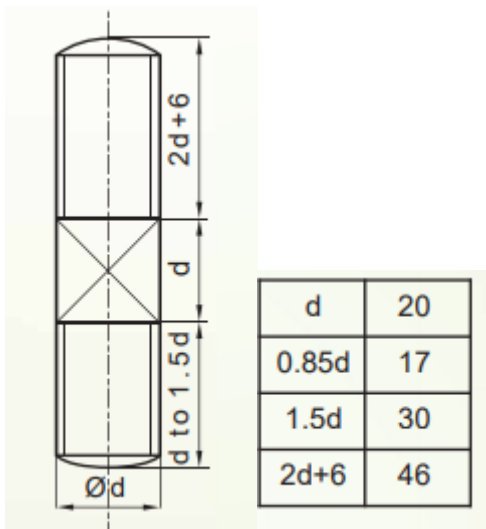
FRONT VIEW

LEFT HAND SIDE VIEW

d	0.8d	1.5d+3	2d+6
30	24	48	66

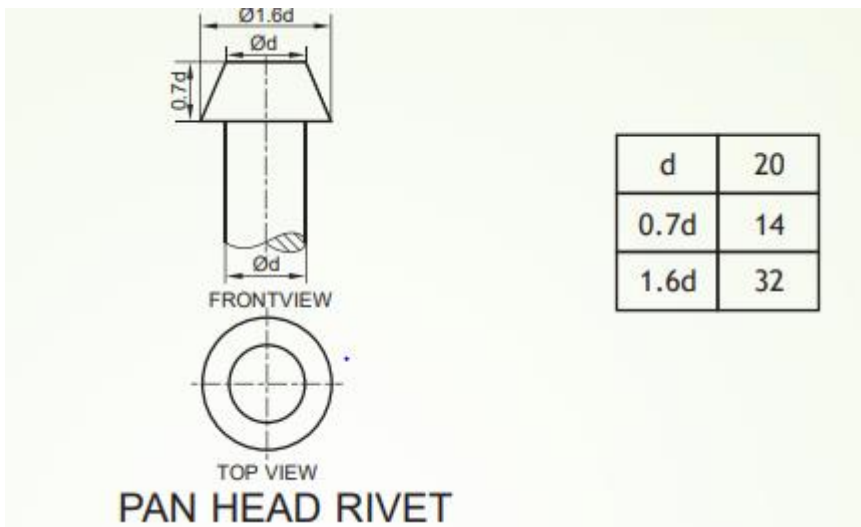
HEXAGONAL BOLT

3.a

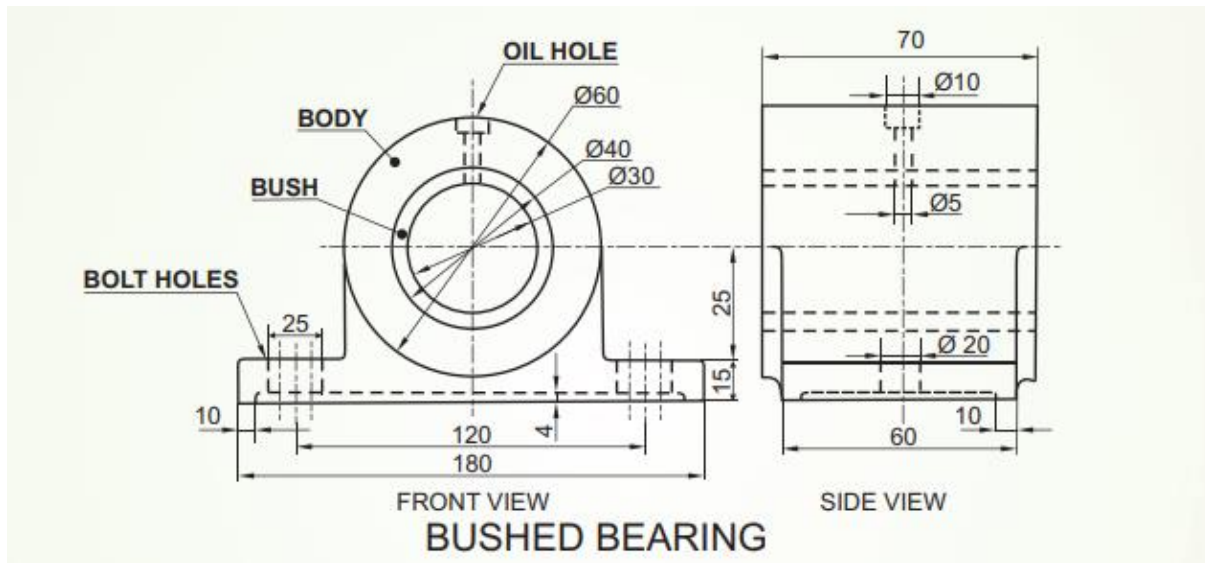


Stud with square neck

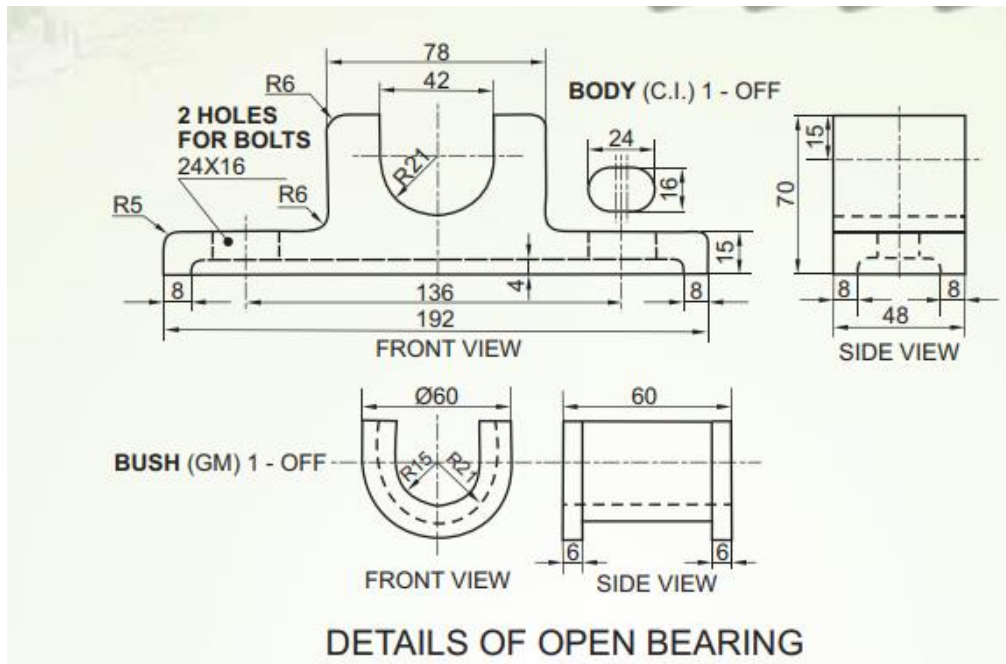
.b



4.a



4.b



Prepared by: The Department of Science 2020 -21

Checked by: HOD – SCIENCE